

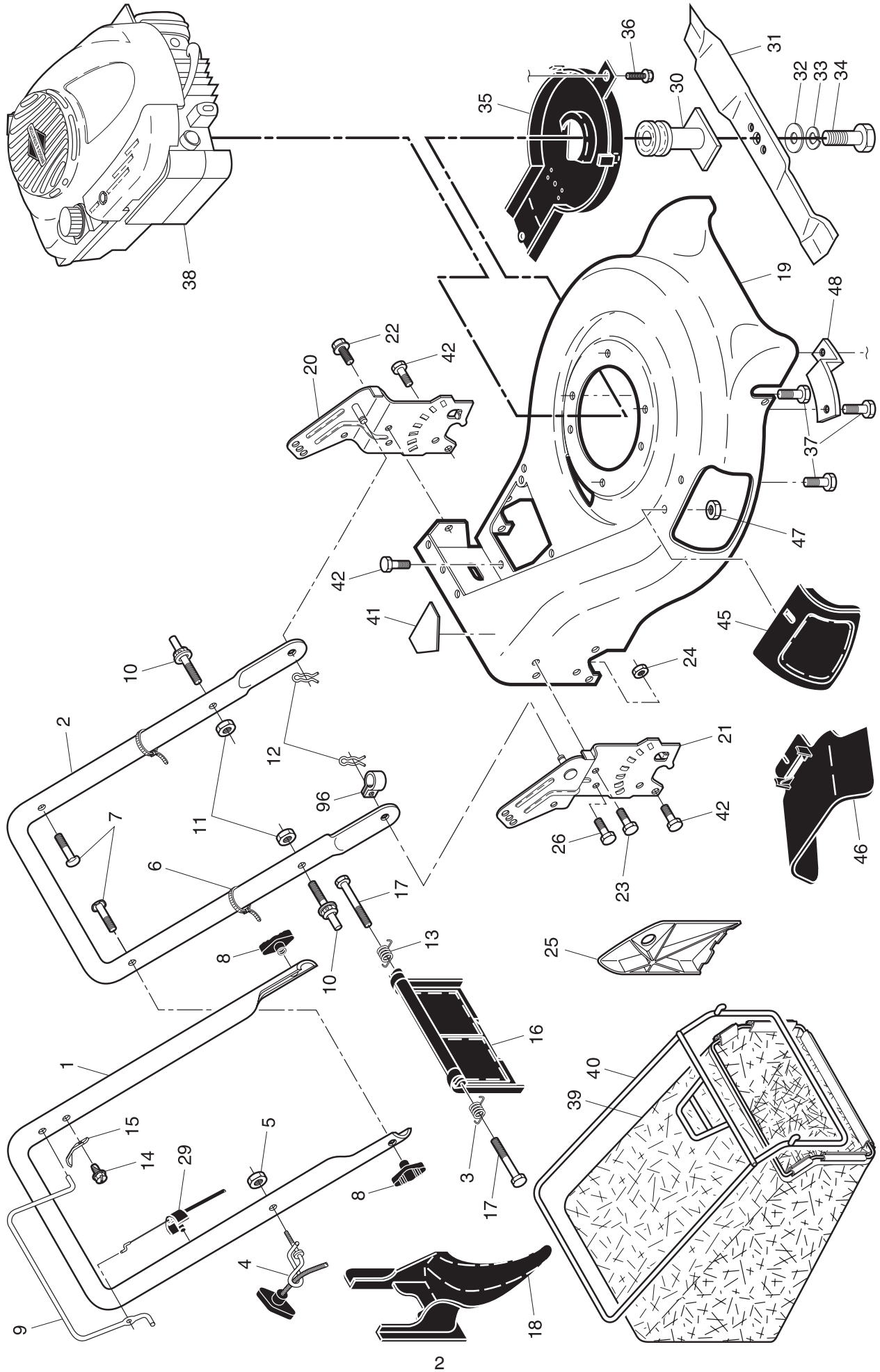
ILLUSTRATED PARTS LIST

MODEL NUMBER PP6753RD

PRODUCT NUMBER 961 41 01-18

MFG. ID. NUMBER 96141011801

ROTARY LAWN MOWER -- MODEL NUMBER PP6753RD (96141011801) PRODUCT NUMBER 961 41 01-18

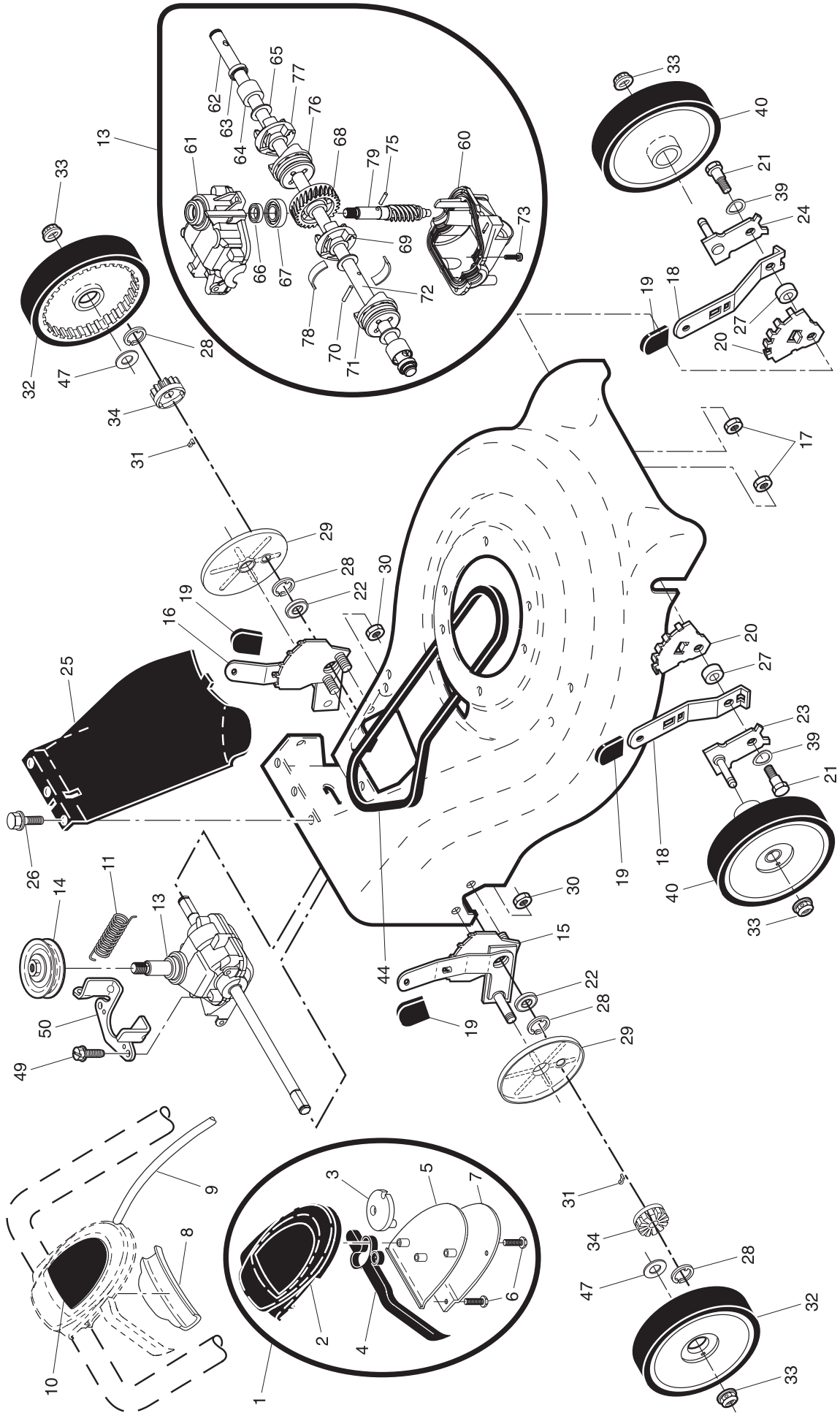


ROTARY LAWN MOWER - - MODEL NUMBER PP6753RD (96141011801) PRODUCT NUMBER 961 41 01-18

KEY NO.	PART NO.	DESCRIPTION	KEY NO.	PART NO.	DESCRIPTION
1	532 40 30-71	Handle, Upper	26	532 16 34-09	Screw #12 x 5/8
2	532 19 60-05	Handle, Lower	29	532 19 12-21	Cable, Operator Presence
3	532 40 54-16	Spring, Rear Door, RH	30	532 18 91-79	Blade Adapter / Pulley
4	532 19 47-88	Rope Guide	31	532 19 93-77	Blade, 21"
5	532 13 20-04	Nut, Hex, with Lockwasher Insert 1/4-20	32	532 85 10-74	Washer
6	532 06 64-26	Wire, Tie	33	532 85 02-63	Washer, Lock
7	532 19 15-74	Bolt, Handle 5/16-18 x 2-5/8	34	532 85 10-84	Bolt, Hex Head
8	532 19 19-38	Knob, Handle	35	532 40 58-43	Debris Shield
9	532 40 29-32	Control Bar	36	532 19 23-25	Bolt
10	532 18 88-21	Bolt, Carriage	37	532 15 04-06	Bolt, Engine
11	532 75 11-53	Nut, Hex 5/16-18	38	---	Engine, Briggs & Stratton, Model No. 124K02 (order parts from Engine manufacturer)
12	532 05 17-93	Cotter, Hairpin	39	532 40 21-07	Grassbag
13	532 40 54-15	Spring, Rear Door, LH	40	532 19 46-44	Frame, Grassbag
14	532 75 06-34	Screw	41	532 18 21-66	Danger Decal
15	532 12 51-62	Bracket, Upstop	42	532 05 45-83	Screw
16	532 40 88-88	Rear Door	45	532 19 13-41	Mulcher Door Assembly
17	532 18 41-93	Bolt, Rear Door	46	532 19 12-10	Discharge Deflector
18	532 19 81-70	Plug, Mulcher	47	532 08 83-49	Nut, Hex
19	532 41 01-32	Kit, Housing	48	532 19 09-39	Mounting Bracket, Debris Shield
20	532 40 32-96	Handle Bracket Assembly, LH	96	532 19 79-91	Clip, Cable
21	532 40 32-97	Handle Bracket Assembly, RH	--	532 18 21-34	Warning Decal (not shown)
22	532 15 00-78	Screw, Hex Washer Head	--	532 40 33-65	Operator's Manual, European
23	532 16 31-83	Bolt, Hex Head 5/16-18 x 5/8	--	532 40 33-63	Operator's Manual, Scandinavian
24	873 80 05-00	Nut, Hex, with Lockwasher Insert 5/16-18			
25	532 16 13-33	Baffle, Side			

NOTE: All component dimensions given in U.S. inches. 1 inch = 25.4 mm. **IMPORTANT:** Use only Original Equipment Manufacturer (O.E.M.) replacement parts. Failure to do so could be hazardous, damage your lawn mower and void your warranty.

ROTARY LAWN MOWER -- MODEL NUMBER PP6753RD (96141011801) PRODUCT NUMBER 961 41 01-18



ROTARY LAWN MOWER - - MODEL NUMBER PP6753RD (96141011801) PRODUCT NUMBER 961 41 01-18

KEY NO.	PART NO.	DESCRIPTION	KEY NO.	PART NO.	DESCRIPTION
1	532 40 62-54	Drive Control Assembly (Includes Cable)	30	873 80 04-00	Nut, Hex
2	532 41 35-42	Cover, Top	31	532 40 48-45	Pawl
3	532 40 62-62	Pulley	32	532 41 36-13	Wheel & Tire Assembly, Rear 8 x 1-3/4
4	532 18 82-81	Lever, Drive Control	33	532 40 91-48	Nut, Flangelock 3/8-16
5	532 41 35-41	Cover, Bottom	34	532 40 48-35	Gear
6	532 18 16-98	Screw	39	532 40 16-30	Washer, Curved
7	532 40 07-23	Mounting Bracket	40	532 40 61-62	Wheel & Tire Assembly, Front 8 x 1-3/4
9	532 40 62-58	Cable, Drive	44	532 40 65-80	V-Belt
10	532 41 02-70	Decal, Drive Control	47	532 06 77-25	Washer
11	532 40 65-58	Spring	49	532 16 34-09	Screw 12 x 5/8
13	532 40 48-44	Gear Case Assembly, Complete	50	532 41 31-04	Belt Brkt
14	532 19 34-43	Pulley, Drive	60	532 41 27-47	Case, Lower
15	532 40 90-73	Kit, Wheel Adjuster Assembly, RH (Includes Knob and Bearing)	61	532 41 27-36	Case, Upper
16	532 40 90-74	Kit, Wheel Adjuster Assembly, LH (Includes Knob and Bearing)	62	532 41 27-45	Shaft, Output, Long
17	532 16 67-85	Nut, Hex	63	532 18 35-08	Seal, Output Shaft
18	532 40 64-28	Spring, Selector	64	532 18 35-11	Bushing
19	532 70 10-37	Knob, Selector Spring	65	532 18 35-09	Washer
20	532 41 05-94	Bracket, Wheel Adjusting	66	532 18 35-14	Seal, Worm Shaft
21	532 40 16-38	Bolt, Shoulder, Hex Head	67	532 18 35-06	Bearing, Ball
22	532 19 10-39	Bearing, Ball	68	532 41 27-42	Gear, 28 Teeth
23	532 40 66-90	Axle Arm Assembly, RH	69	532 41 27-39	Fixed Dog Clutch, LH
24	532 40 66-89	Axle Arm Assembly, LH	70	532 41 27-41	Pin Output Shaft
25	532 40 28-07	Cover Drive	71	532 41 27-40	Movable Dog Clutch, LH
26	532 75 06-34	Screw, Threaded, Rolled #10-25 x .50	72	532 41 27-38	Shaft, Output, Short
27	532 40 16-29	Spacer	73	532 18 35-13	Screw, Case
28	812 00 00-58	E-Ring 7/16	75	532 41 27-46	Pin, Worm Shaft
29	532 18 94-03	Cover, Dust, Wheel	76	532 41 27-44	Fixed Dog Clutch, RH
			77	532 41 27-43	Movable Dog Clutch, RH
			78	532 41 07-31	Spring, Leaf
			79	532 41 27-37	Shaft, Worm

NOTE: All component dimensions given in U.S. inches. 1 inch = 25.4 mm. **IMPORTANT:** Use only Original Equipment Manufacturer (O.E.M.) replacement parts. Failure to do so could be hazardous, damage your lawn mower and void your warranty.